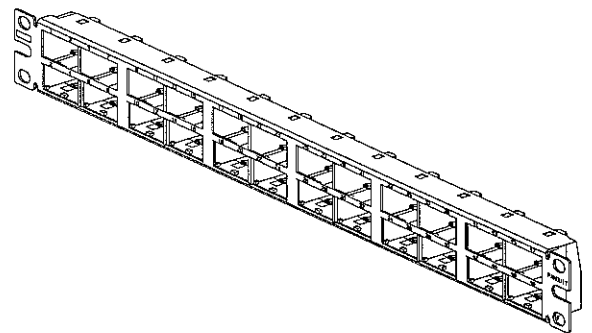
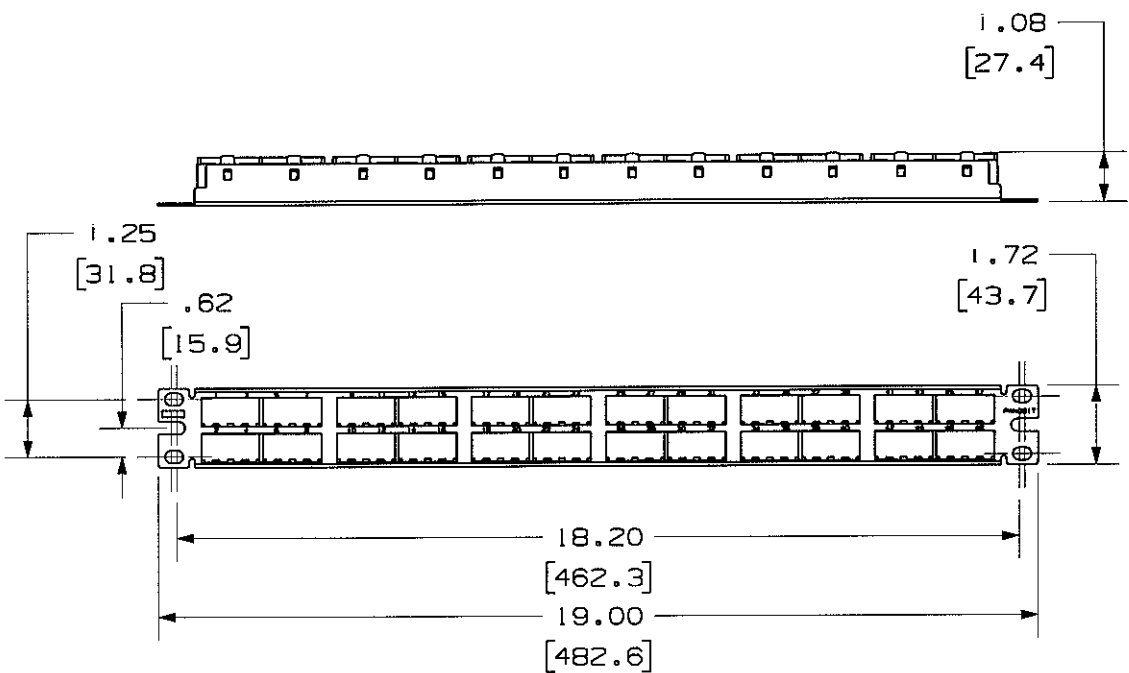


THIS COPY IS PROVIDED ON A RESTRICTED BASIS AND IS NOT TO BE USED IN ANY WAY DETRIMENTAL TO THE INTERESTS OF PANDUIT CORP.

PANDUIT P/N	WEIGHT
CPP48HDVNSWBL	6.15 LB/10 PCS (2788.0 g/10 PCS)

- NOTES:
- SEE CURRENT CATALOG FOR VARIOUS APPLICATIONS WITH THIS WIRING SYSTEM.
 - THE HIGH DENSITY PATCH PANEL IS DESIGNED FOR MOUNTING TO 19" UNIVERSAL RACKS.
 - PACKAGE CONTENTS:
 - (1) -48 PORT STAMPING
 - (6) -8 POSITION FACEPLATE (ASSEMBLED TO PANEL)
 - (1) -SCREW KIT (INCLUDES FOUR #12-24 SCREWS)
 - (1) -SCREW KIT (INCLUDES FOUR M6 SCREWS)
 - DIMENSIONS IN PARENTHESIS ARE IN METRIC.



MODEL FILENAME	M00741AT_CPP48HDVNSWBL_00.PRT	SIZE	A
DRAWING FILENAME	M00741AT_DC_00A.PRT		

MINI-COM 48 PORT HIGH DENSITY MODULAR PATCH PANEL WITH VERTICAL NUMBERING SEQUENCE CUSTOMER DRAWING

<p>PANDUITTM CORP. TINLEY PARK, ILL 60477</p>	I.I. NUMBER	N/A
	PRODUCT SPEC	N/A
<p>THIRD ANGLE PROJECTION</p>	WORK INSTRUCTION	N/A
	SCALE	NONE
DRAWN BY	JsP	PART NO.
DATE	9-27-06	CPP48HDVNSWBL
CHK'D	M/D	DRAWING NO.
		00741-117

REV	DATE	BY	CHK	DESCRIPTION	ECN	R	CUST	SUP	OTH
R	9-27-06	JsP	M/D	RELEASED TO PRODUCTION	00741-117				